

PVC BALL VALVE (THREADED)

Product No.: **V-02**

Product Standard: **DIN**

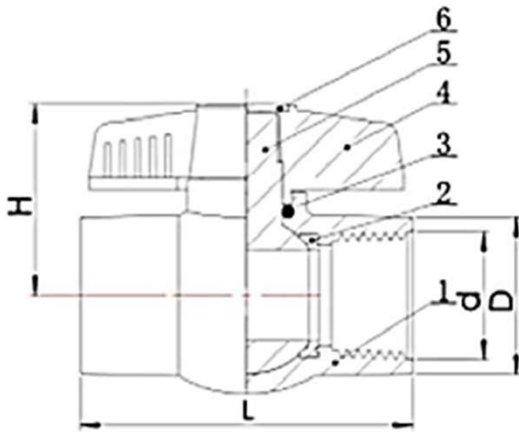
Body CLR:

Handle CLR:

Description: PVC-U Compact Ball Valve
(Thread)

Temperature: Max 45°C /113°F

Working Pressure: PN10



NO.	PART	MATERIAL	QTY
1	Body	PVC	1
2	Seat Seal	TPE/TPR	2
3	O-Ring	NBR	1
4	Handle	ABS	1
5	Valve Core	PVC	1
6	Cap	ABS	1

Size (mm)	BSPT thd./in	L (mm)	H (mm)	D (mm)
15 (1/2")	14	74	43	30
20 (3/4")	14	84	50,6	34,5
25 (1")	11	98,4	56,5	42,5
32 (1-1/4")	11	110	63,5	52
40 (1-1/2")	11	127	70,8	61,8
50 (2")	11	148	81,5	75,2
65 (2-1/2")	11	175,8	97	93,3
80 (3")	11	210	103	106,1
100 (4")	11	260,6	140	134,4